

Dynamic Power Path Management Simplifies Battery Charging from Solar Panels

Nigel Smith

PMP Portable Power

ABSTRACT

The Texas Instruments bq2403x family of linear charge regulators were originally designed to charge single-cell Li-ion batteries from an AC adapter or USB port. However, these ICs also lend themselves well to applications powered by solar panels.

Solar cells basically comprise a p-n junction in which incident light energy (photons) causes electrons and holes to recombine, generating an electric current. As the p-n junction's characteristics are similar to those of a diode, the electrical circuit shown in Figure 1 is often used as a simplified model of the cell's characteristics.

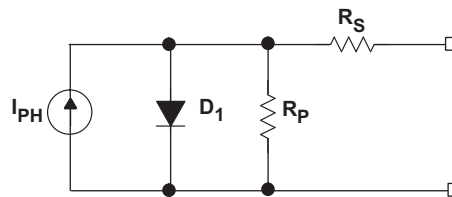


Figure 1. Simplified Model of a Solar Cell

The current source I_{PH} generates a current proportional to the amount of light falling on the cell. With no load connected, nearly all the current generated flows through diode D_1 , whose forward voltage determines the solar cell's open-circuit voltage (V_{OC}). This voltage varies somewhat with the exact properties of each type of solar cell, but for most silicon cells, it is in the range 0.5 V to 0.6 V (the normal forward voltage of a p-n junction diode). The parallel resistor R_P represents a small leakage current that occurs in practical cells. As the load current increases, more of the current generated by I_{PH} is diverted away from the diode and into the load. For most values of load current, this has only a small effect on the output voltage; there is a small change due to the diode's I-V characteristic, and a small voltage drop due to the series resistor R_S (which represents connection losses) but the output voltage remains largely constant. However, at some point, the current flowing through D_1 becomes so small that the diode starts to become insufficiently biased, and the voltage across it decreases rapidly with increasing load current. Finally, when all the current generated flows through the load (and none through the diode), the output voltage is zero. This current is known as the solar cell's short-circuit current (I_{SC}) and, together with V_{OC} , is one of the primary parameters defining its operating performance (see Figure 2).

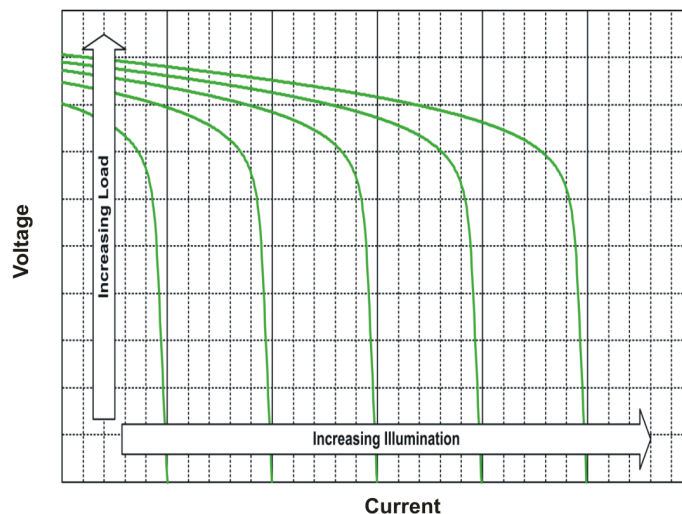


Figure 2. Typical Solar Cell I-V Characteristic

In most applications, it is desirable to get as much power as possible out of the solar cell. Because output power is the product of output voltage and current, it is therefore necessary to determine which part of the cell's operating characteristic yields the maximum value of VI . This is known as the maximum power point (MPP). At one extreme, the output voltage is at its maximum value (V_{OC}) but output current is zero. At the other extreme, the output current is at its maximum value (I_{SC}) but output voltage is zero. In both cases, the product of VI is zero; so, the MPP must lie somewhere between the two extremes. It can easily be proved (or experimentally observed) that in any application, the MPP actually occurs somewhere on the knee of the solar cell's output characteristic (see Figure 3). The problem in practice is that the exact location of a solar cell's MPP varies with incident light and ambient temperature. Systems designed to maximize solar power generation must therefore dynamically scale the current drawn from the solar cell so that it operates at or near the MPP under the actual operating conditions.

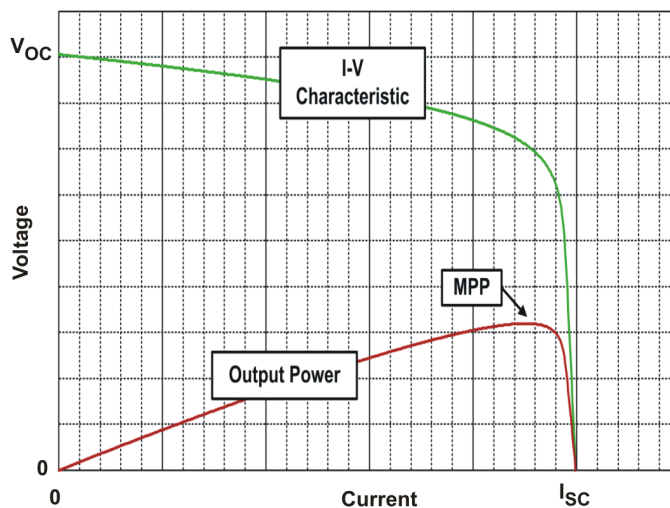


Figure 3. Solar Cell Output Characteristics

There are various ways to implement such a scheme – known as a MPP tracker – but these often become quite complex, especially in mission-critical systems such as satellites. However, in many smaller applications, an extremely accurate MPP-tracking scheme is not needed, and a simple, low-cost solution able to harness 90% to 95% of the available energy is all that is required. The dynamic power path management (DPPM) function of TI's bqTINY™-III family of linear charge controllers can be used to implement such a simplified MPP tracker.

The main elements of the DPPM function are shown in Figure 4. Ignoring the USB input for the time being, the circuit works as follows: Q₁ regulates the voltage at the OUT pin and Q₂ regulates charge current according to a typical CC-CV Li-ion charge profile. If the current available from the power source connected to the AC pin is insufficient to power the system and charge the battery, V_{OUT} starts to fall. If V_{OUT} reaches a predefined threshold, V_{DPPM}, the bqTINY-III automatically reduces the charge current to a level that maintains V_{OUT} at V_{DPPM}.

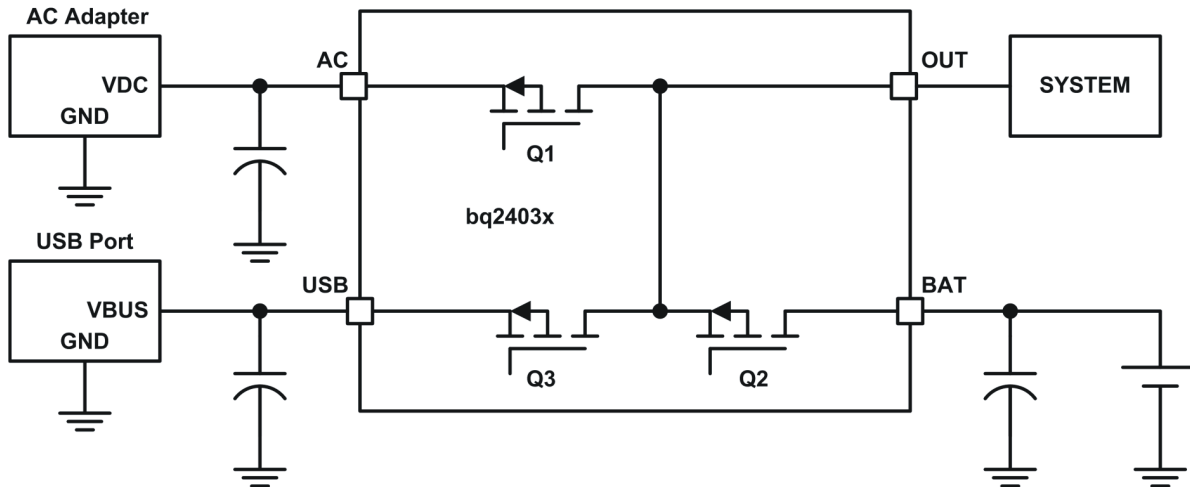


Figure 4. DPPM Principle of the bqTINY-III Linear Charger

This feature can be used in the application shown in Figure 5, in which a solar panel is used to recharge a single Li-ion cell. The solar panel comprises a number of strings, each with 11 silicon cells in series, and behaves like a current-limited voltage source, in which the current limit is determined by the size of the panel and the amount of light falling on it.

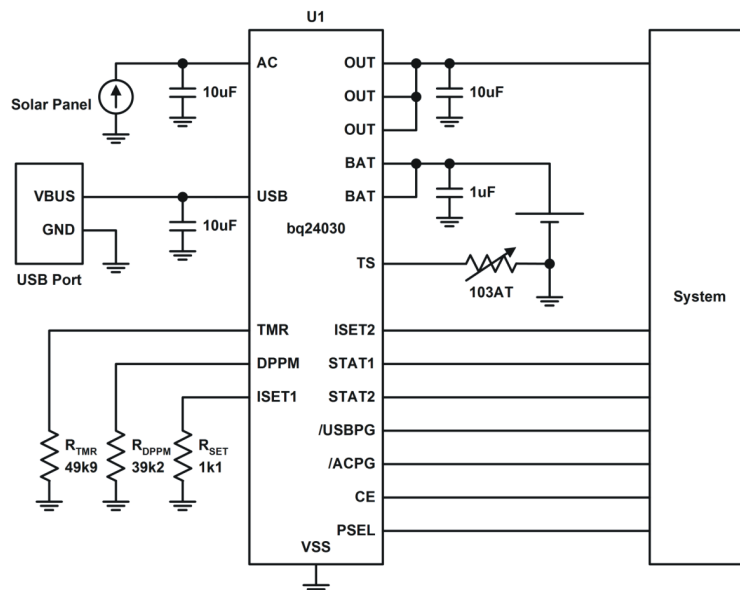


Figure 5. Using a Solar Panel to Charge a Battery

The maximum output voltage (V_{OC}) from this solar panel is typically between 5.5 V and 6 V. Because this is below the bq24030's predefined output regulation voltage of 6 V, Q₁ is turned on. R_{SET} defines a maximum charge current of 1 A. If this exceeds its output capability, which depends on the available light, the solar panel's output voltage falls, reducing the voltage on the bq24030's OUT pin. R_{DPPM} programs the bq24030 to automatically reduce I_{CHG} to a level that allows V_{OUT} to be maintained at a minimum of 4.5 V. This value of V_{DPPM} was chosen because it corresponds reasonably well to the maximum power point

(MPP) of the solar panel. Assuming a voltage drop of 300 mV across Q_1 the voltage across each cell is equal to 436 mV, which maximizes the solar panel's power output. If V_{OUT} is greater than 4.5 V, the DPPM function does nothing, and the solar panel moves away from its MPP, but this only happens if less power is needed than the solar panel can supply, in which case a reduction in efficiency is not important. It can be seen from [Figure 3](#) that the output power curve is quite flat as it approaches the MPP and then falls off sharply. It is therefore better to set V_{DPPM} slightly too high than slightly too low, so as to minimize the effect of an incorrect operating point on output power.

If the power available from the solar panel is insufficient to power the system even when the battery charge current has been reduced to zero, Q_2 turns on, V_{OUT} drops to just below V_{BAT} , and the battery provides whatever current the solar panel is unable to provide.

The bqTINY™-III also allows the battery to be charged from a USB port. In this case, Q_3 is used to regulate input current to ensure that the USB specifications are complied with –100 mA or 500 mA, according to the state of the IC's ISET2 pin. If the sum of the system and charge currents exceeds the selected USB current limit, V_{OUT} falls and the DPPM function reduces charge current or starts battery supplement mode as before.

Another useful feature of the bqTINY™-III family of devices is that the internal safety timer is automatically extended if DPPM is operating. Thus, under low-light or current-limited conditions, when battery charging is slower, the length of time allowed to recharge the battery before an error condition is indicated increases proportionally, preventing premature charge termination.

IMPORTANT NOTICE

Texas Instruments Incorporated and its subsidiaries (TI) reserve the right to make corrections, modifications, enhancements, improvements, and other changes to its products and services at any time and to discontinue any product or service without notice. Customers should obtain the latest relevant information before placing orders and should verify that such information is current and complete. All products are sold subject to TI's terms and conditions of sale supplied at the time of order acknowledgment.

TI warrants performance of its hardware products to the specifications applicable at the time of sale in accordance with TI's standard warranty. Testing and other quality control techniques are used to the extent TI deems necessary to support this warranty. Except where mandated by government requirements, testing of all parameters of each product is not necessarily performed.

TI assumes no liability for applications assistance or customer product design. Customers are responsible for their products and applications using TI components. To minimize the risks associated with customer products and applications, customers should provide adequate design and operating safeguards.

TI does not warrant or represent that any license, either express or implied, is granted under any TI patent right, copyright, mask work right, or other TI intellectual property right relating to any combination, machine, or process in which TI products or services are used. Information published by TI regarding third-party products or services does not constitute a license from TI to use such products or services or a warranty or endorsement thereof. Use of such information may require a license from a third party under the patents or other intellectual property of the third party, or a license from TI under the patents or other intellectual property of TI.

Reproduction of information in TI data books or data sheets is permissible only if reproduction is without alteration and is accompanied by all associated warranties, conditions, limitations, and notices. Reproduction of this information with alteration is an unfair and deceptive business practice. TI is not responsible or liable for such altered documentation.

Resale of TI products or services with statements different from or beyond the parameters stated by TI for that product or service voids all express and any implied warranties for the associated TI product or service and is an unfair and deceptive business practice. TI is not responsible or liable for any such statements.

Following are URLs where you can obtain information on other Texas Instruments products and application solutions:

Products		Applications	
Amplifiers	amplifier.ti.com	Audio	www.ti.com/audio
Data Converters	dataconverter.ti.com	Automotive	www.ti.com/automotive
DSP	dsp.ti.com	Broadband	www.ti.com/broadband
Interface	interface.ti.com	Digital Control	www.ti.com/digitalcontrol
Logic	logic.ti.com	Military	www.ti.com/military
Power Mgmt	power.ti.com	Optical Networking	www.ti.com/opticalnetwork
Microcontrollers	microcontroller.ti.com	Security	www.ti.com/security
Low Power Wireless	www.ti.com/lpw	Telephony	www.ti.com/telephony
		Video & Imaging	www.ti.com/video
		Wireless	www.ti.com/wireless

Mailing Address: Texas Instruments
Post Office Box 655303 Dallas, Texas 75265